

# **380 BSW**

---

## **USB update**



**USER MANUAL**

Version CP2019380PD.1

Thanks for choosing our goods please read this manual carefully before your operating

# 380BSW

## Table of contents

1.	Safety instructions.....	4
2.	Fixture exterior view.....	6
3.	Installation .....	7
3.1	Connection to the mains.....	7
3.2	Replacing gobos .....	8
3.3	Rigging the fixture.....	9
3.4	DMX-512 connection.....	12
4.	Technical Specifications.....	13
5.	Maintenance and cleaning.....	16
6.	Photometric diagram.....	17
7.	DMX protocol.....	18

**FOR YOUR OWN SAFETY, PLEASE READ THIS USER MANUAL CAREFULLY  
BEFORE YOU INITIAL START - UP**

This device has left our premises in absolutely perfect condition. In order to maintain this condition and to ensure a safe operation, it is absolutely necessary for the user to follow the safety instructions and warnings in this manual.

The manufacturer will not accept liability for any resulting damages caused by the non-observance of this manual or any unauthorized modification to the device.

Please consider that damages caused by manual modifications to the device are not subject to warranty.

**The Robin380B SW was designed for indoor use and it is intended for professional application only. It is not for household use.**

## 1. Safety instructions

**CAUTION!**  
***Disconnect the fixture from mains before you remove any cover of the fixture. With a high voltage you can suffer a dangerous electric shock when touching alive wires and electrical parts undercovers!***

Make sure that the available voltage is not higher than stated on the rear panel of the fixture. This fixture should be operated only from the type of power source indicated on the marking label. If you are not sure of the type of power supplied, consult your authorized distributor or local power company.

Always disconnect the fixture from AC power before cleaning, removing or servicing any part of the fixture.

The power plug has to be accessible after installing the fixture. Do not overload wall outlets and extension cords as this can result in fire or electric shock.

Do not allow anything to rest on the power cord. Do not locate this fixture where the cord may be damaged by persons walking on it.

Make sure that the power cord is never crimped or damaged by sharp edges. Check the fixture and the power cord from time to time.

Refer servicing to qualified service personnel.

***This fixture falls under protection class I. Therefore this fixture has to be connected to a mains socket outlet with a protective earthing connection.***

Do not connect this fixture to a dimmerpack.

During the initial start-up some smoke or smell may arise. This is a normal process and does not necessarily mean that the device is defective.

The housing of the fixture becomes hot during its operation.

For replacement use lamps and fuses of same type and rating only.

***Risk group 2, RG-2: CAUTION.***  
***Do not stare at exposed lamp in operation. May be harmful to the eyes.***  
***Avoid looking directly into the light source.***

If the fixture has been exposed to drastic temperature fluctuation (e.g. after transportation), do not switch it on immediately. The arising condensation water might damage your device. Leave the device switched off until it has reached room temperature.

Before switching the fixture off, turn its lamp off and allow the fixture to cool for a while.

**WARNING!** This unit does not contain an ON/OFF switch. Always disconnect power input cable to completely remove power from unit when not in use or before cleaning or servicing the unit.

This fixture was designed for indoor use only, do not expose this unit to rain or use near water.

When choosing the installation spot, please make sure that the fixture is not exposed to extreme heat, moisture or dust.

Air vents and slots in the fixture's head and base are provided for ventilation, to ensure reliable operation of the device and to protect it from overheating, they never must be covered with cloth or other materials.

Do not block the front objective lens with any object when the fixture is under operation.

The fixture becomes very hot during operation. Allow the fixture to cool approximately 20 minutes prior to manipulate with it.

Only operate the fixture after having checked that the housing is firmly closed and all screws are tightly fastened.

Always use a safety wire for overhead installation.

Make sure that the area below the installation place is blocked when rigging, derigging or servicing the fixture.

**Warning**  
***Minimum distance between the moving head and a surface of illuminated object must be 8 meters or more ( lamp in Standard Mode).***

The maximum ambient temperature 45°C must never be exceeded.

**CAUTION!**  
***The lens has to be replaced when it is obviously damaged, so that its function is impaired, e. g. due to cracks or deep scratches!***

Operate the device only after having familiarized with its functions. Do not permit operation by persons not qualified for operating the device. Most damages are the result of unprofessional operation!

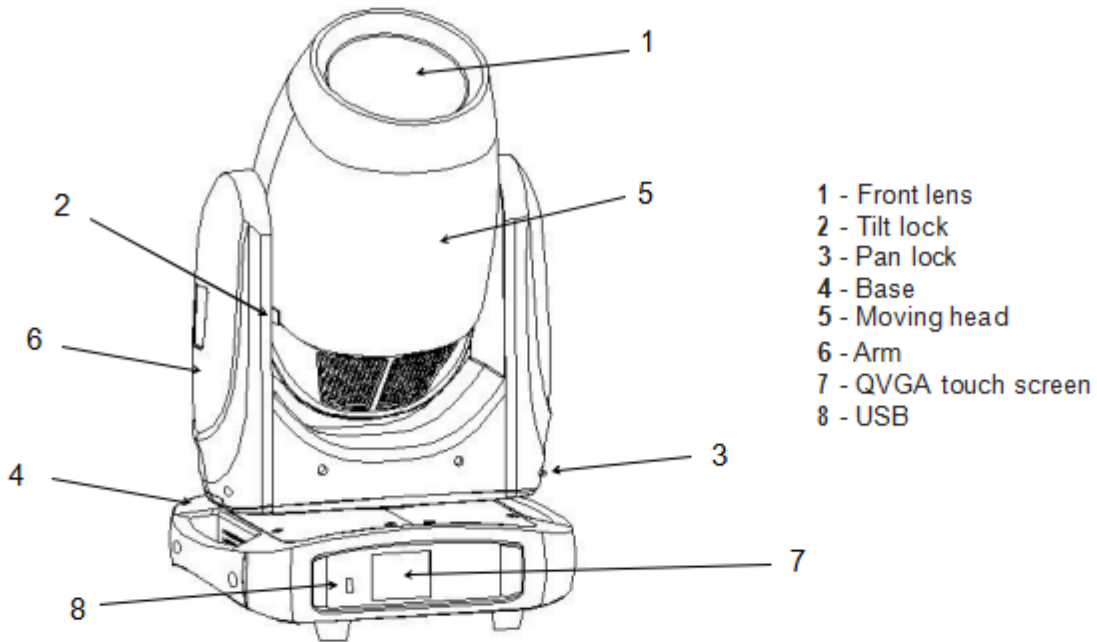
**CAUTION!**  
***The lamp has to be replaced when it is damaged or deformed due to the heat!***

**CAUTION!**  
***Fast on-off-cycles (e.g. 10 min. on / 10 min. off) will reduce lamp life.***

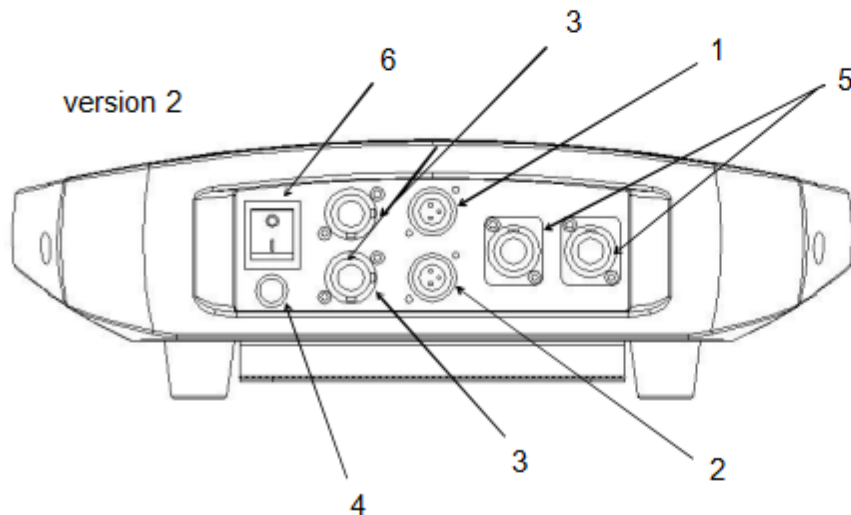
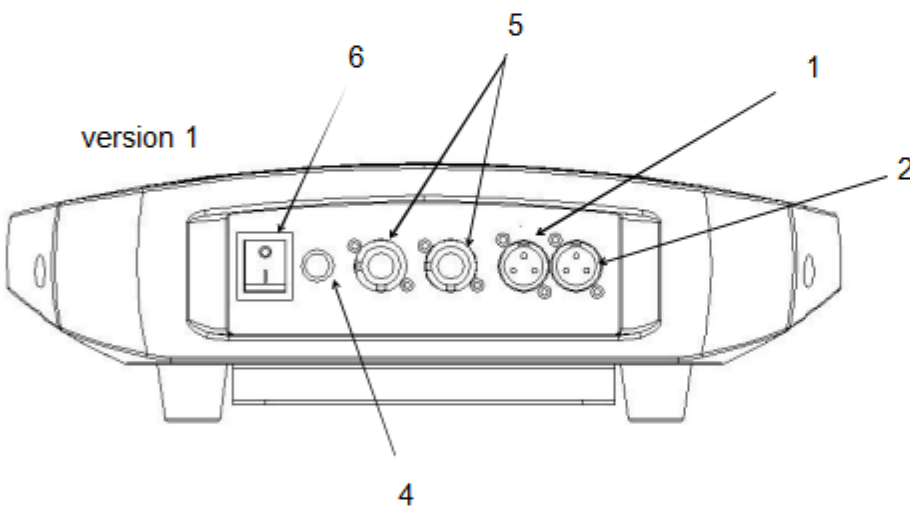
**CAUTION!**  
***To avoid damage of the internal parts of the fixture head, never let the sunlight (or other light source) lights directly to the front lens, even when the fixture is not in operation !***

Please use the original packaging if the device is to be transported.

## 2. Fixture exterior view



The head should be locked for transportation - both tilt lock latch (2) and pan lock latch (3) have to be in locked positions. Move these latches to unlock positions before operating the fixture.



### Rear panel of the base:

- 1 - 3-pin DMX Out
- 2 - 3-pin DMX In
- 3 - Ethernet
- 4 - Fuse holder
- 5 - Power
- 6 - Switch

The ENTER/DISPLAY ON button also serves for switching the display on when the fixture is disconnected from the mains.

### 3. Installation



***Fixtures must be installed by a qualified electrician in accordance with all national and local electrical and construction codes and regulations.***

#### 3.1 Connection to the mains

**For protection from electric shock, the fixture must be earthed!**

The 380BSW is equipped with auto-switching power supply that automatically adjusts to any 50-60Hz AC power source from 100-240 Volts.

Power cable is enclosed to the fixture. If you need to install a power plug on the power cable to allow connection to power outlets, install a grounding-type (earthed) plug, following the plug manufacturer's instructions. If you have any doubts about proper installation, consult a qualified electrician.

Core (EU)	Core (US)	Connection	Plug Terminal Marking
Brown	Black	Live	L
Light blue	White	Neutral	N
Green /Yellow	Green	Earth	

This device falls under class one and must be earthed (grounded).

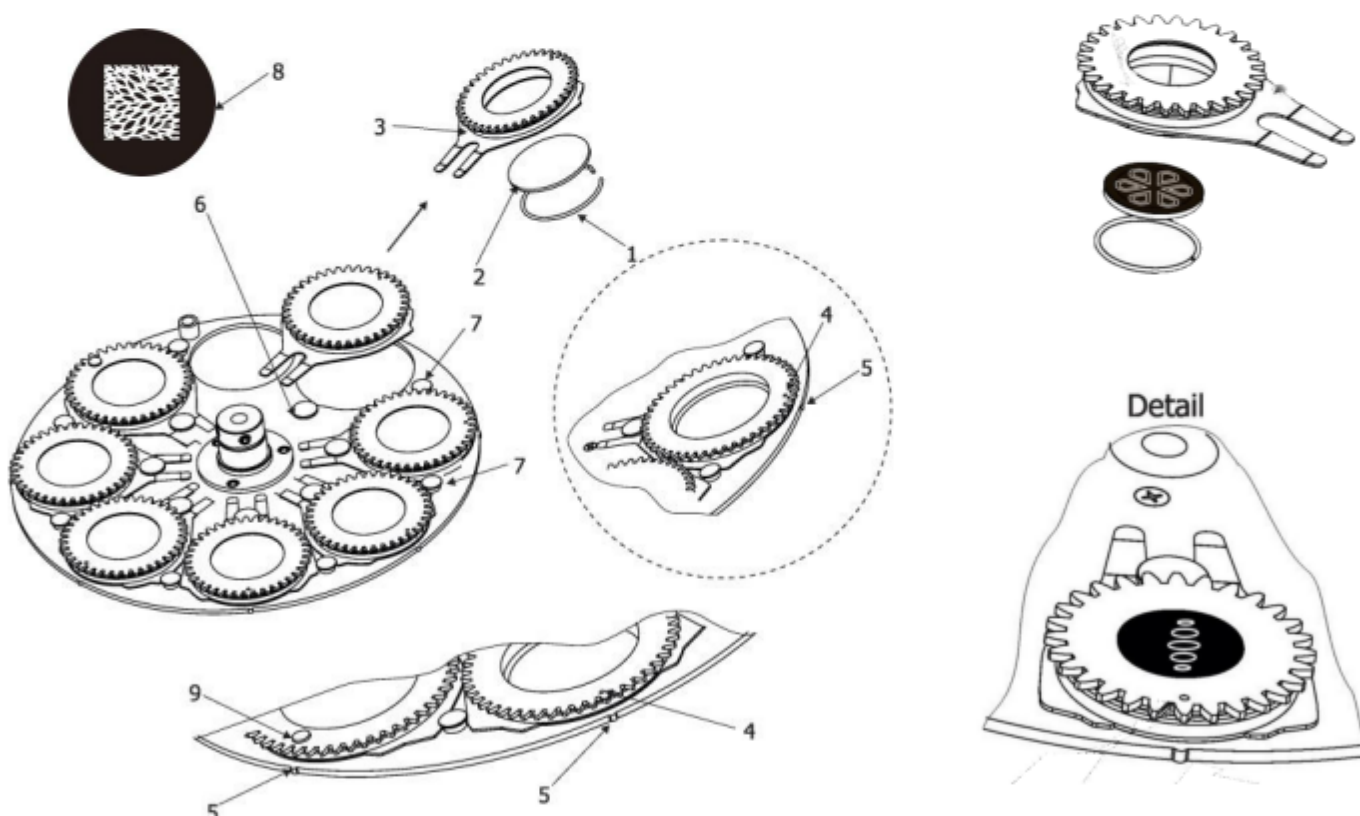
To apply power, first check that the head pan and tilt locks are released.

Wiring and connection work must be carried out by qualified staff.

## 3.2 Replacing rotating gobos

**DANGER!**  
**Install the gobos with the device switched off only.**  
**Unplug from mains before!**

1. Disconnect the fixture from mains and allow it to cool.
  2. Remove the plastic cover of the head by loosening the 4 quarter-turn fasteners on the cover.
  3. Gently pull up the gobo holder (3) from the rotation gobo wheel.
  4. Remove the spring lock (1) with an appropriate tool (e.g. small-bladed screwdriver) and remove it. Do not touch the surface of the pattern of the glass gobo with bare fingers.
  5. Remove the original gobo (2) and insert the new one (glazy side towards the light source). The Gleelite gobo has a small position point (8) at its edge which has to aimed at the position point (4) on the gobo holder (4). Insert the spring lock to secure correct gobo position in the gobo holder.
  6. Insert the gobo holder back under the distance slots (6, 7) into rotating gobo wheel in this way, that its position point (4) has to aimed at a small toothlike projection (5) on the edge of the rotating gobo wheel. **Important!** When inserting the gobo holder back to the rotating gobo wheel, one of the adjacent gobo holder has to be oriented according to the same rule, it means that its position point (4) has to aimed at the toothlike projection (5) on the edge of the rotating gobo wheel. You have keep both marks (4) and (5) side by side when rotating the gobo wheel to the position allows inserting the gobo holder back.
  5. Replace the plastic cover before applying power.
  6. Use the menu Service to fine adjust replaced gobo (Service -> Calibration -> Calibrate effects -> R. Gobo Index 1 ...R. Gobo Index 6).
- Note. The magnet (9) of the gobo holder has the same function as the position point (4) on the rest of gobo holders.



### 3.3 Rigging the fixture

The installation of the fixture has to be built and constructed in a way that it can hold 10 times the weight for 1 hour without any harming deformation.

The installation must always be secured with a secondary safety attachment, e.g. an appropriate catch net. This secondary safety attachment must be constructed in a way that no part of the installation can fall down if the main attachment fails.

When rigging, derigging or servicing the fixture staying in the area below the installation place, on bridges, under high working places and other endangered areas is forbidden.

The operator has to make sure that safety-relating and machine-technical installations are approved by an expert before taking into operation for the first time and after changes before taking into operation another time.

The operator has to make sure that safety-relating and machine-technical installations are approved by an expert after every four year in the course of an acceptance test.

The operator has to make sure that safety-relating and machine-technical installations are approved by a skilled person once a year.

The projector should be installed outside areas where persons may walk by or be seated.

**IMPORTANT! OVERHEAD RIGGING REQUIRES EXTENSIVE EXPERIENCE**, including (but not limited to) calculating working load limits, installation material being used, and periodic safety inspection of all installation material and the fixture. If you lack these qualifications, do not attempt the installation yourself, but instead use a professional structural rigger. Improper installation can result in bodily injury or damage to property.

The fixture has to be installed out of the reach of people.

If the fixture shall be lowered from the ceiling or high joists, professional trussing systems have to be used. The fixture must never be fixed swinging freely in the room.

**Caution:** Fixtures may cause severe injuries when crashing down! If you have doubts concerning the safety of a possible installation, do not install the moving head!

Before rigging make sure that the installation area can hold a minimum point load of 10 times the fixture's weight.

**Danger of fire !**  
**When installing the device, make sure there is no highly inflammable material (decoration articles, etc.) in a distance of min. 0.5 m.**

**CAUTION!**  
**Use 2 appropriate clamps to rig the fixture on the truss. Follow the instructions mentioned at the bottom of the base. Make sure that the device is fixed properly! Ensure that the structure (truss) to which you are attaching the fixtures is secure.**

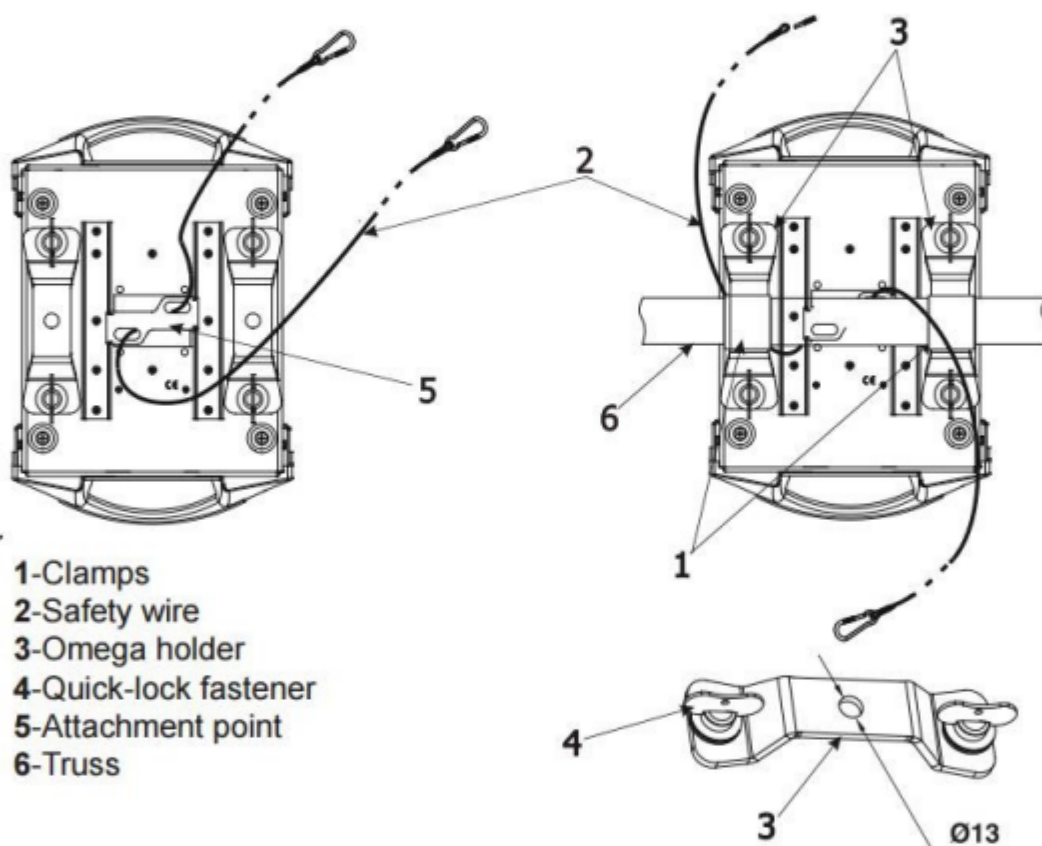


The fixture can be placed directly on the stage floor or rigged in any orientation on a truss without altering its operation characteristics .

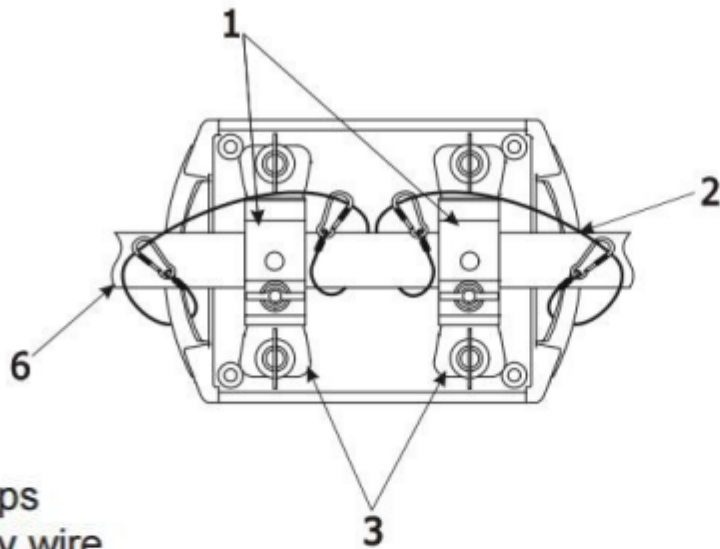
For securing a fixture to the truss, install a safety wire that can hold at least 10 times the weight of the fixture. Use only the safety wire with screw-on carabine. Pull the safety wire through the safety attachment point on the bottom of the base and around the truss as shown on the pictures below.

### Truss installation

1. Bolt each clamp (1) to the omega holder (3) with M12 bolt and lock nut through the hole in the holder.
2. Fasten the omega holders on the bottom of the base by inserting both quick-lock fasteners (4) into the holes of the base and tighten fully clockwise.
3. Pull the safety wire (2) through the attachment point and around the truss (6).



Alternatively, fixtures handles can be used for safety attachment



- 1-Clamps
- 2-Safety wire
- 3-Omega holder
- 4-Quick-lock fastener
- 5-Attachment point
- 6-Truss

**When installing fixtures side-by-side,  
avoid illuminating one fixture with another!**

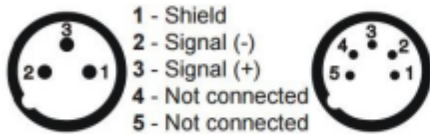
**DANGER TO LIFE!**  
**Before taking into operation for the first time, the installation has to  
be approved by an expert!**

### 3.4 DMX-512 connection

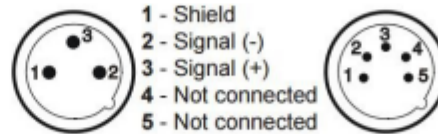
The fixture is equipped with both 3-pin and 5-pin XLR sockets for DMX input and output. The sockets are wired in parallel.

Only use a shielded twisted-pair cable designed for RS-485 and 3-pin or 5-pin XLR-plugs and connectors in order to connect the controller with the fixture or one fixture with another.

DMX - output  
XLR mounting-sockets (rear view):

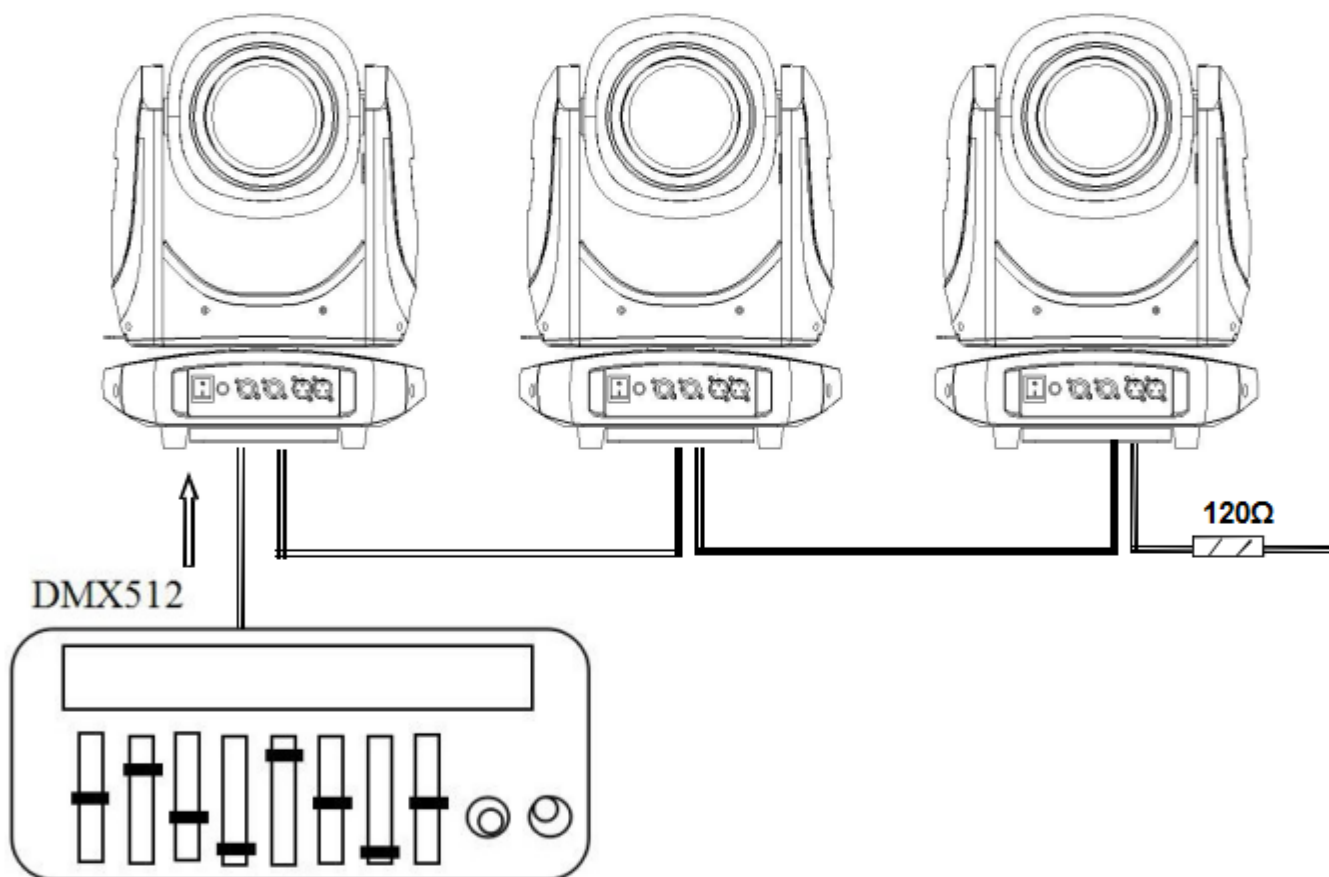


DMX - input  
XLR mounting-plugs (rear view):



If you are using the standard DMX controllers, you can connect the DMX output of the controller directly with the DMX input of the first fixture in the DMX-chain. If you wish to connect DMX-controllers with other XLR-outputs, you need to use adapter-cables.

**Building a serial DMX-chain:**



Connect the DMX-output of the first fixture in the DMX-chain with the DMX-input of the next fixture. Always connect one output with the input of the next fixture until all fixtures are connected.

**Caution:** At the last fixture, the DMX-cable has to be terminated with a terminator. Solder a 120 Ω resistor between Signal (-) and Signal (+) into a 3-pin XLR-plug and plug it in the DMX-output of the last fixture.

## 4. Technical Specifications

### Electrical

Power supply..... electronic auto-ranging  
Input voltage range:..... 100-240V, 50/60Hz  
Max. power consumption:.....500 W@230V  
Fuse..... T 5 A

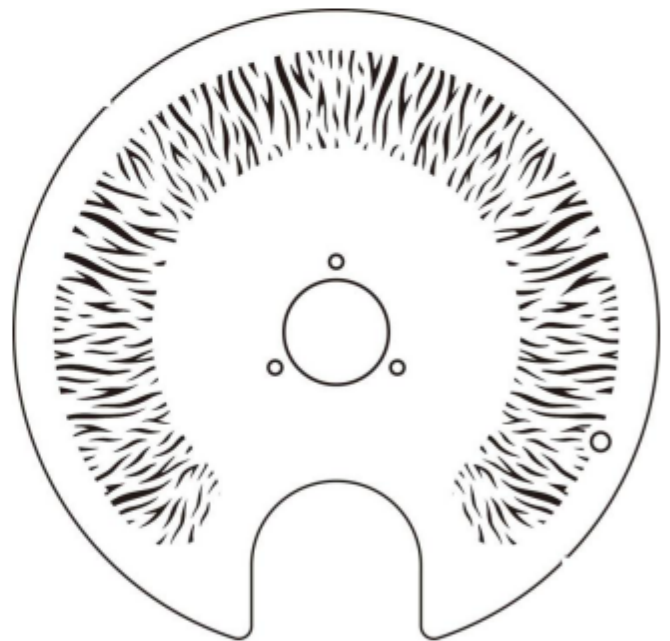
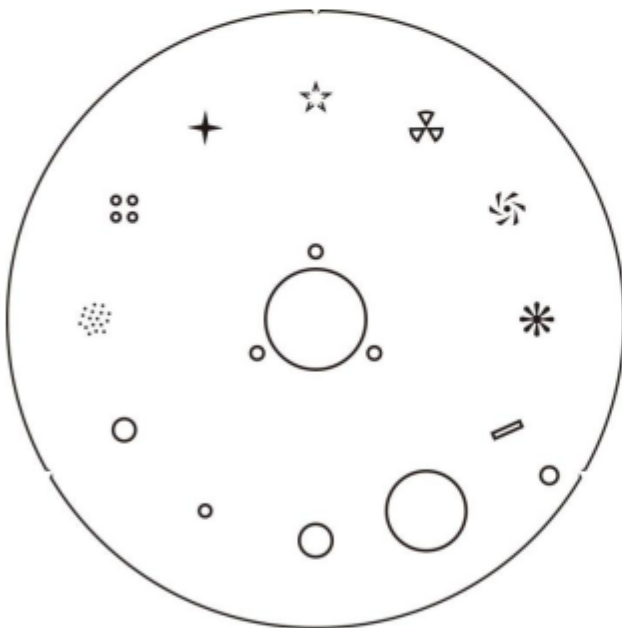
### Light source

YODN R19 380W/ Osram SIRIUS HRI 371W  
Colour temperature: 8000K  
CRI=70  
Colour wheel:  
11 dichroic filters + open

### Static gobo wheel

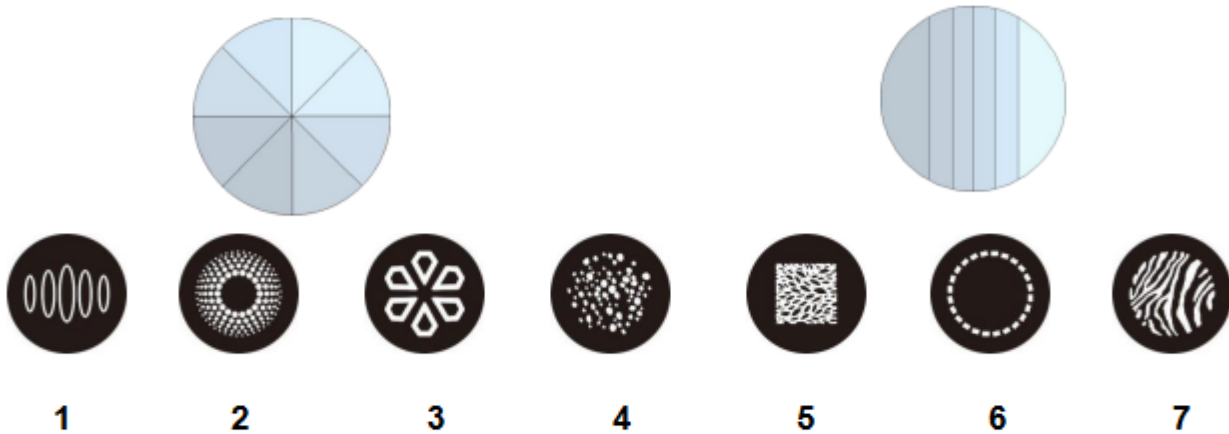
10 metal gobos, image diameter =6.5mm, aluminium, thickness=0.5 mm  
Gobo wheel continuous rotation

Animation wheel:Flame effect disc



## Rotating gobo wheel

7 glass gobos can be indexed and rotated in both directions at different speeds Gobo wheel continuous rotation  
Glass gobos: outside diameter=12.5 mm, max. thickness=4 mm, high temperature borofloat or better glass  
"Slot&lock" system for easy replacement of gobos



**Warning!!!**  
**All glass Gobos which needed change, must be supplied from the original factory. These glass gobos are professional heat-resistant glass Gobos. Or we would not be providing any warranty for them!**

## Prism

6 facet linear prism rotating continuous rotation in both directions, Rotating 8-facet 12° prism with continuous rotation in both directions, prism superposition

## Zoom

Linear motorized zoom (2° - 40°)

## Strobe

Strobe effect with variable speed (max. 15 flashes/sec.)

## Dimmer

Smooth dimmer from 0 - 100 %

## Control

Readout fixture and light source usage, receiving DMX values, temperatures, etc  
Built-in analyzer for easy fault finding, error messages  
Built-in demo sequences  
Black-out while head moving, colour changing  
Silent fans cooling,

### Optional Wireless DMX/RDM module

- Compliance with USITT DMX-512 (1986 & 1990) and 512-A
- Full DMX fidelity and frame integrity
- Auto sensing of DMX frame rate and frame size
- <5ms DMX latency
- Operational frequency range of 2402-2480 MHz

### Pan/Tilt

- Pan movement range 540°
- Tilt movement range 270°
- 16 bit movement resolution

### Rigging

- Mounting points: 2 pairs of 1/4-turn locks
- Mounting horizontally or vertically via 2 Omega brackets

### Temperatures

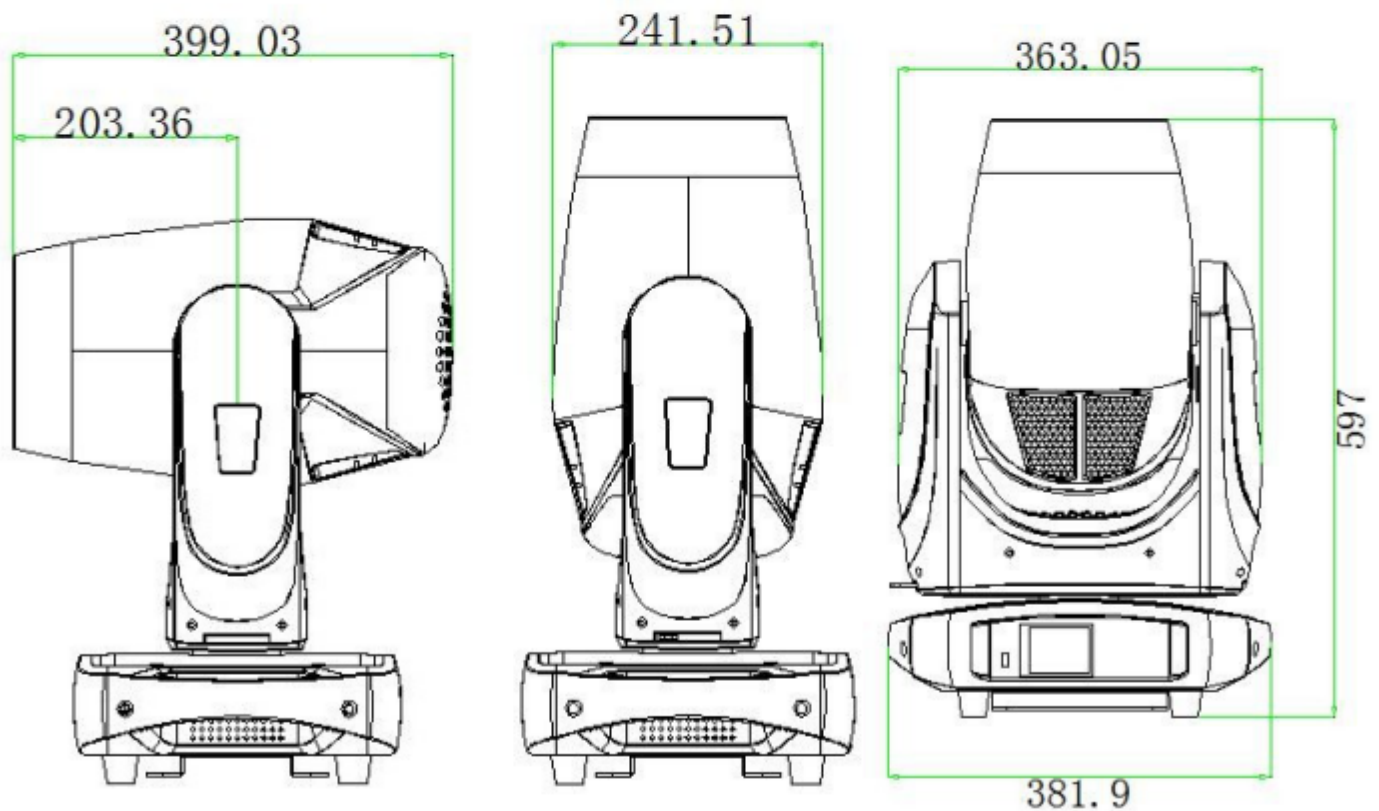
- Maximum ambient temperature : 45° C
- Maximum housing temperature : 80° C

### Minimum distances

- Min. distance from flammable surfaces: 5 m
- Min. distance to lighted object: 20m

### Weight (net) 19 kg

### Dimensions (mm)



## 5. Maintenance and cleaning

It is absolutely essential that the fixture is kept clean and that dust, dirt and smoke-fluid residues must not build up on or within the fixture. Otherwise, the fixture's light-output will be significantly reduced. Regular cleaning will not only ensure the maximum light-output, but will also allow the fixture to function reliably throughout its life. A soft lint-free cloth moistened with any good glass cleaning fluid is recommended, under no circumstances should alcohol or solvents be used!

***DANGER !***  
***Disconnect from the mains before starting any maintenance work***

The front objective lens will require weekly cleaning as smoke-fluid tends to building up residues, reducing the light-output very quickly. The cooling-fans should be cleaned monthly. The interior of the fixture should be cleaned at least annually using a vacuum-cleaner or an air-jet. Dichroic colour filters, gobo wheels and the internal lenses should be cleaned monthly. Remove dust and dirt from the fans and cooling vents using a soft brush and vacuum-cleaner.

***Important!***  
***Check the air filters periodically and clean before they become clogged!***

Clean the air filters placed in the fixture bases. Use a vacuum cleaner, compressed air or you can wash them and put back dry.

After replacing the air filters, reset the elapsed time counter in the menu "Information" (Information--->Air Filters---> Elapsed Time).

### **Replacing the fuse.**

Before replacing the fuse, unplug mains lead.

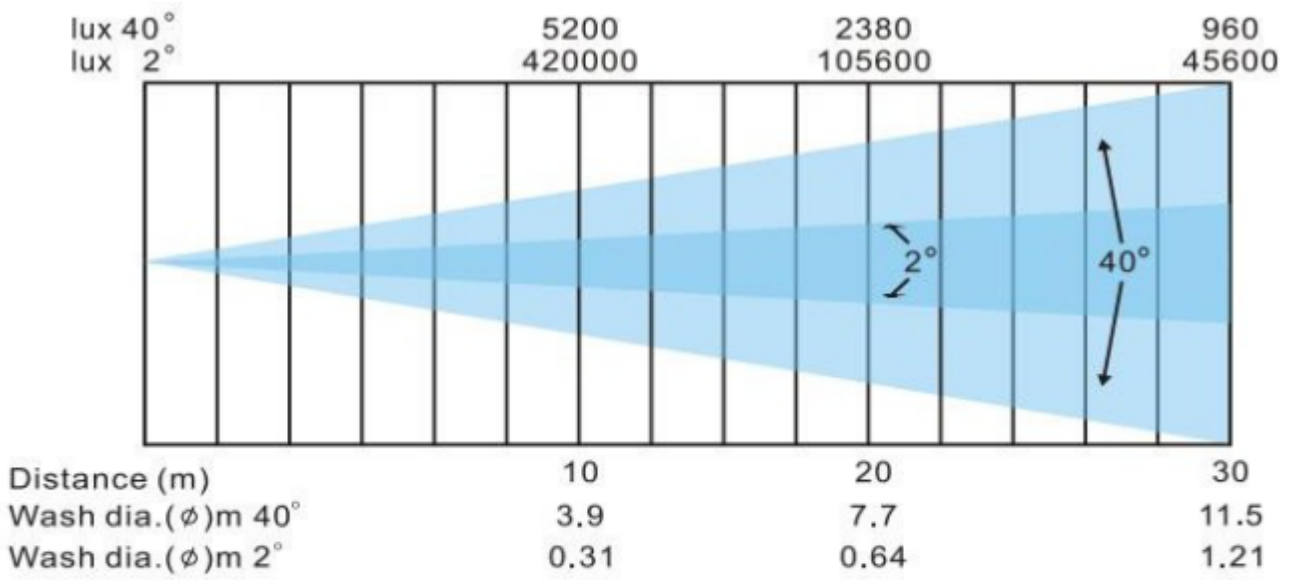
- 1) Remove the fuse holder on the rear panel of the base with a fitting screwdriver from the housing (anti-clockwise).
- 2) Remove the old fuse from the fuse holder.
- 3) Install the new fuse in the fuse holder (only the same type and rating).
- 4) Replace the fuseholder in the housing and fix it.

### **12.1 Disposing of the product**

To preserve the environment please dispose or recycle this product at the end of its life according to the local regulations and codes.

6.

### Photometric diagram





## DMX protocol

380 BSW DMX Channel			
Mode/Channel		Value	Function
Ba	St		
1	1		<b>Pan</b>
		0-255	0-100%
/	2		<b>Pan fine</b>
		0-255	0-100%
2	3		<b>Tilt</b>
		0-255	0-100%
/	4		<b>Tilt fine</b>
		0-255	0-100%
3	5		<b>Pan/Tilt Speed</b>
		0-255	Fast -> Slow
4	6		<b>Strobe/Shutter</b>
		0-3	Close
		4-103	Strobe , Slow -> Fast
		104-107	Open
		108-207	Pulse: Slow -> Fast
		208-212	Open
		213-225	Random:Slow
		226-238	Random:Medium speed
		239-251	Random: Fast
		252-255	Open
5	7		<b>Dimmer</b>
		0-255	0-100%
6	8		<b>Color</b>
		0-4	white
		5-9	Color1
		10-14	Color2
		15-19	Color3
		20-24	Color4
		25-29	Color5
		30-34	Color6
		35-39	Color7
		40-44	Color8
		45-49	Color9

		50-54	Color10
		55-59	Color11
		60-64	white+Color1
		65-69	Color1+Color2
		70-74	Color2+Color3
		75-79	Color3+Color4
		80-84	Color4+Color5
		85-89	Color5+Color6
		90-94	Color6+Color7
		95-99	Color7+Color8
		100-104	Color8+Color9
		105-109	Color9+Color10
		110-114	Color10+Color11
		115-119	Color11+white
		120-185	clockwise rotation:Fast->Slow
		186-189	停止
		190-255	Anticlockwise rotation:Slow->Fast
7	9		Animation wheel
		0-100	Fast->Slow
8	10		<b>Static Gobo</b>
		0-4	Blank
		5-9	Gobo 1
		10-14	Gobo 2
		15-19	Gobo 3
		20-24	Gobo 4
		25-29	Gobo 5
		30-34	Gobo 6
		35-39	Gobo 7
		40-44	Gobo 8
		45-49	Gobo 9
		50-54	Gobo 10
		55-61	Gobo 1 Shake: Slow -> Fast
		62-68	Gobo 2 Shake: Slow -> Fast
		69-75	Gobo 3 Shake: Slow -> Fast
		76-82	Gobo 4 Shake: Slow -> Fast
		83-89	Gobo 5 Shake: Slow -> Fast
		90-96	Gobo 6 Shake: Slow -> Fast
97-103	Gobo 7 Shake: Slow -> Fast		

		104-110	Gobo 8 Shake: Slow -> Fast
		111-117	Gobo 9 Shake: Slow -> Fast
		118-124	Gobo 10 Shake: Slow -> Fast
		125-187	Rotation(CW): Fast -> Slow
		188-192	Stop
		193-255	Rotation(CCW): Slow -> Fast
9	11		<b>Rotating Gobo</b>
		0-9	Blank
		10-19	Gobo1
		20-29	Gobo2
		30-39	Gobo3
		40-49	Gobo4
		50-59	Gobo5
		60-69	Gobo6
		70-79	Gobo7
		80-89	Gobo 1 Shake: Slow -> Fast
		90-99	Gobo 2 Shake: Slow -> Fast
		100-109	Gobo 3 Shake: Slow -> Fast
		110-119	Gobo 4 Shake: Slow -> Fast
		120-129	Gobo 5 Shake: Slow -> Fast
		130-139	Gobo 6 Shake: Slow -> Fast
		140-149	Gobo 7 Shake: Slow -> Fast
		150-202	Rotation(CW): Fast -> Slow
203-255	Rotation(CCW): Slow -> Fast		
10	12		<b>Gobo Rotating</b>
		0-127	Gobo Position
		128-191	Gobo Rotation(CW): Fast->Slow
		192-255	Gobo Rotation(CCW): Slow-> Fast
11	13		<b>Prism</b>
		0-127	Blank
		128-191	Prism 1 out
		192-255	Prism 2 out
12	14		<b>Prism Rotate</b>
		0-127	0-360°
		128-191	Rotation(CW): Fast -> Slow
		192-255	Rotation(CCW): Slow -> Fast
13	15		<b>Frost</b>
		0-255	0-100%
14	16		<b>Zoom</b>

		0-255	0-100%
\	17		<b>Zoom fine</b>
		0-255	0-100%
15	18		<b>Focus</b>
		0-255	0-100%
\	19		<b>Focus fine</b>
		0-255	0-100%
16	20		<b>Reset</b>
		0-25	Unused
		26-76	Pan/Tilt Reset
		77-127	Head Reset
		128-255	Complete Reset
17	21		<b>Control bulb</b>
		0-25	Blank
		26-100	Light bulb is lit
		101-255	Light bulb start

**If you have any questions, please contact your local dealer!**

